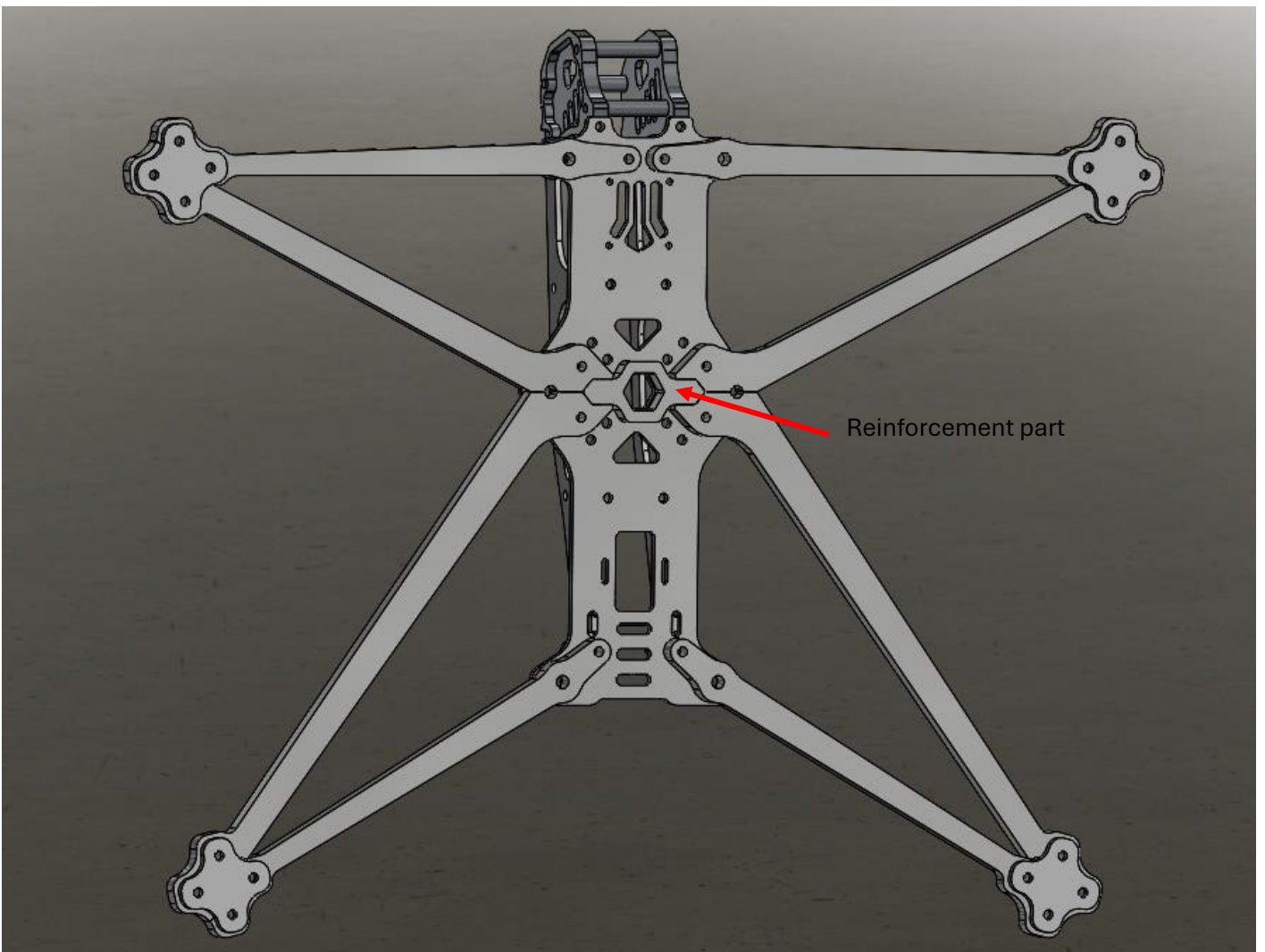
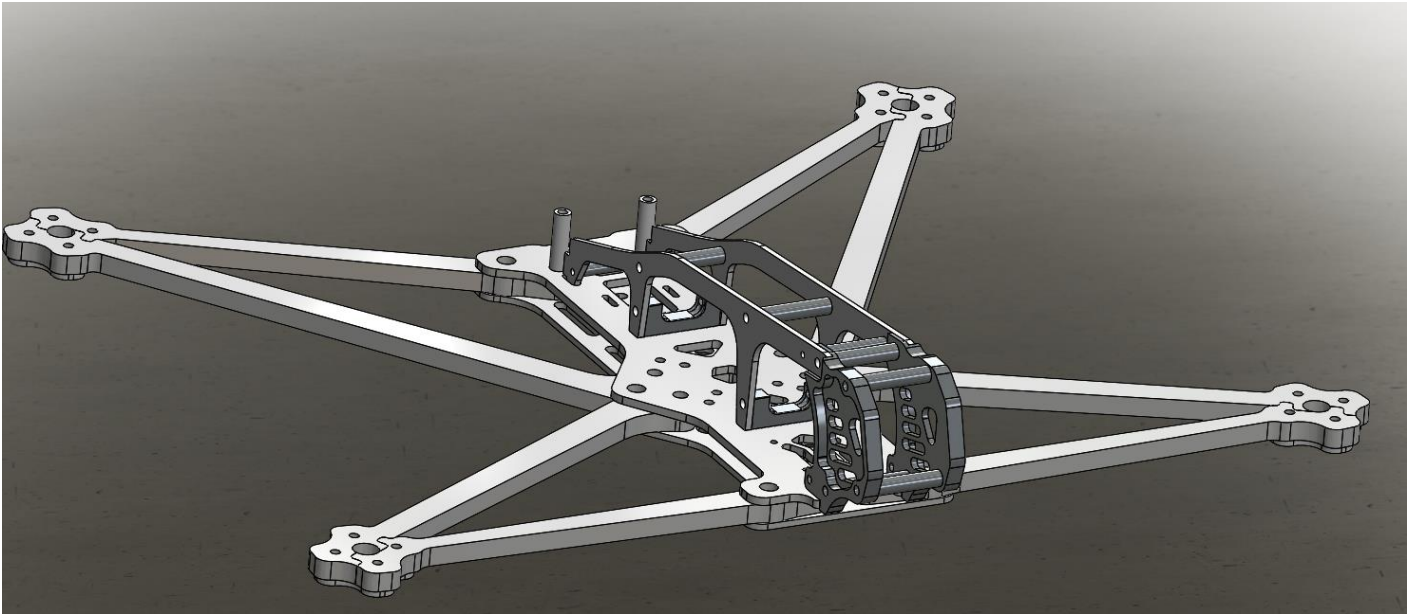


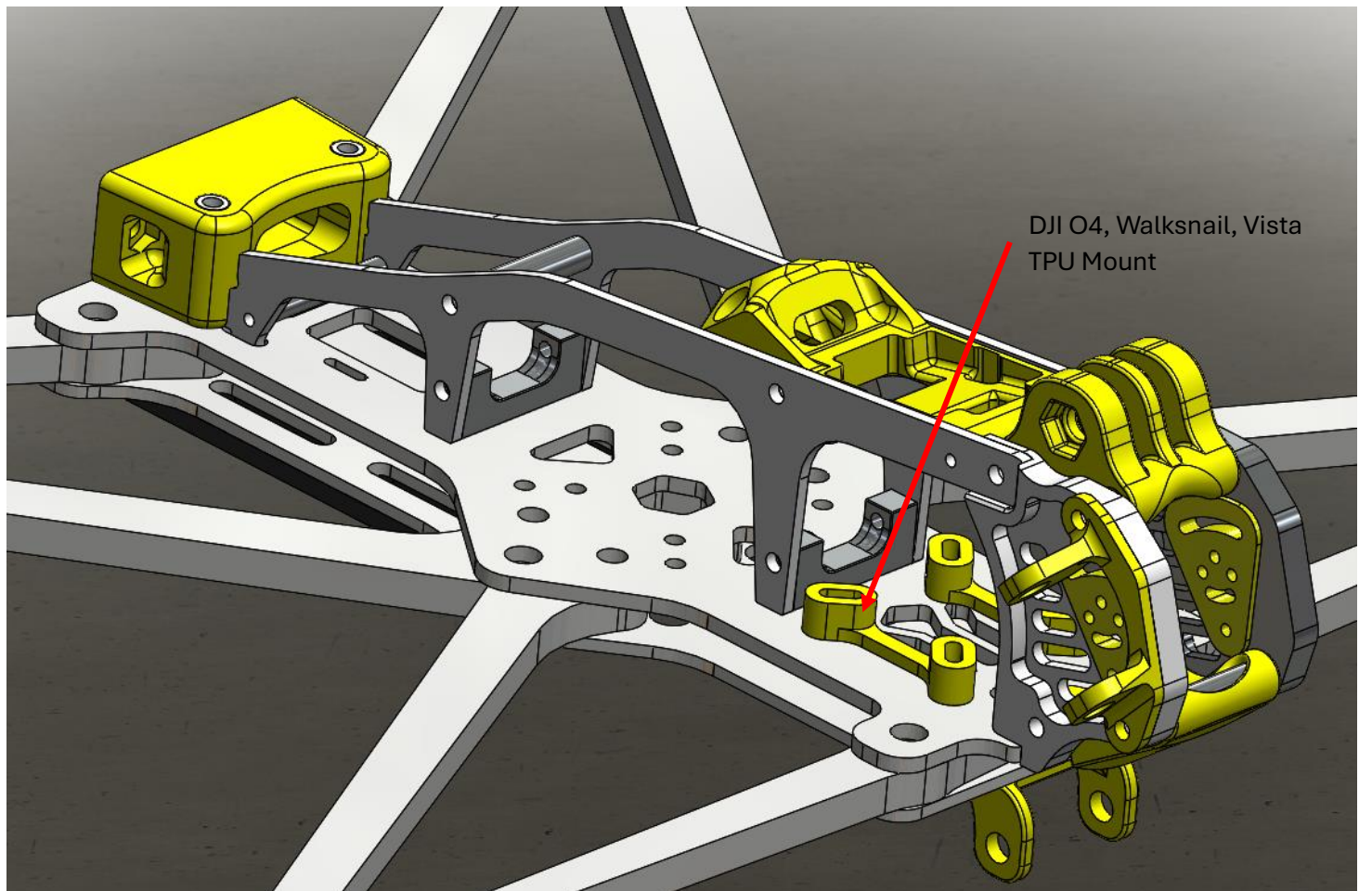
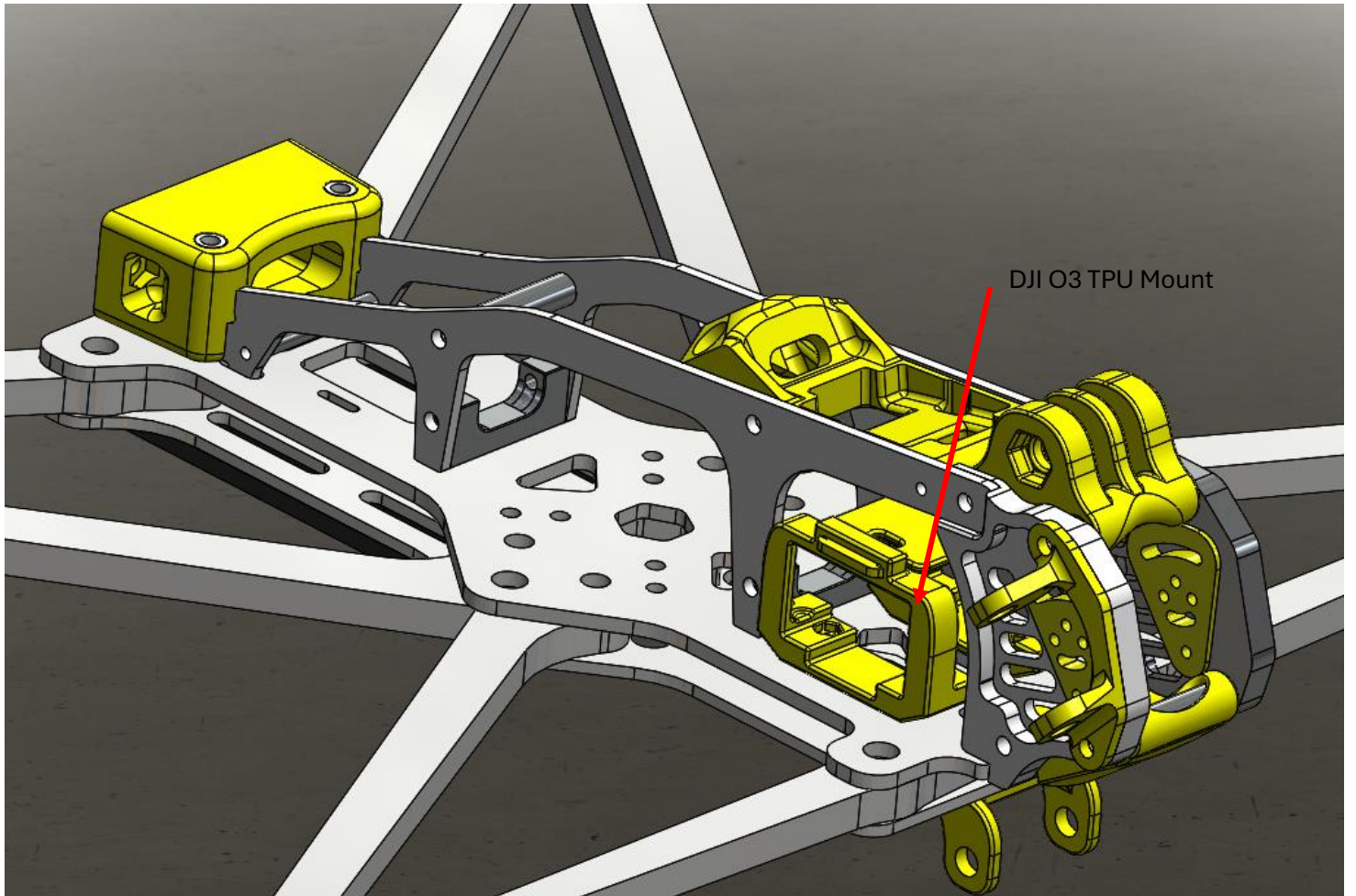
Oxylus LR mounting instructions

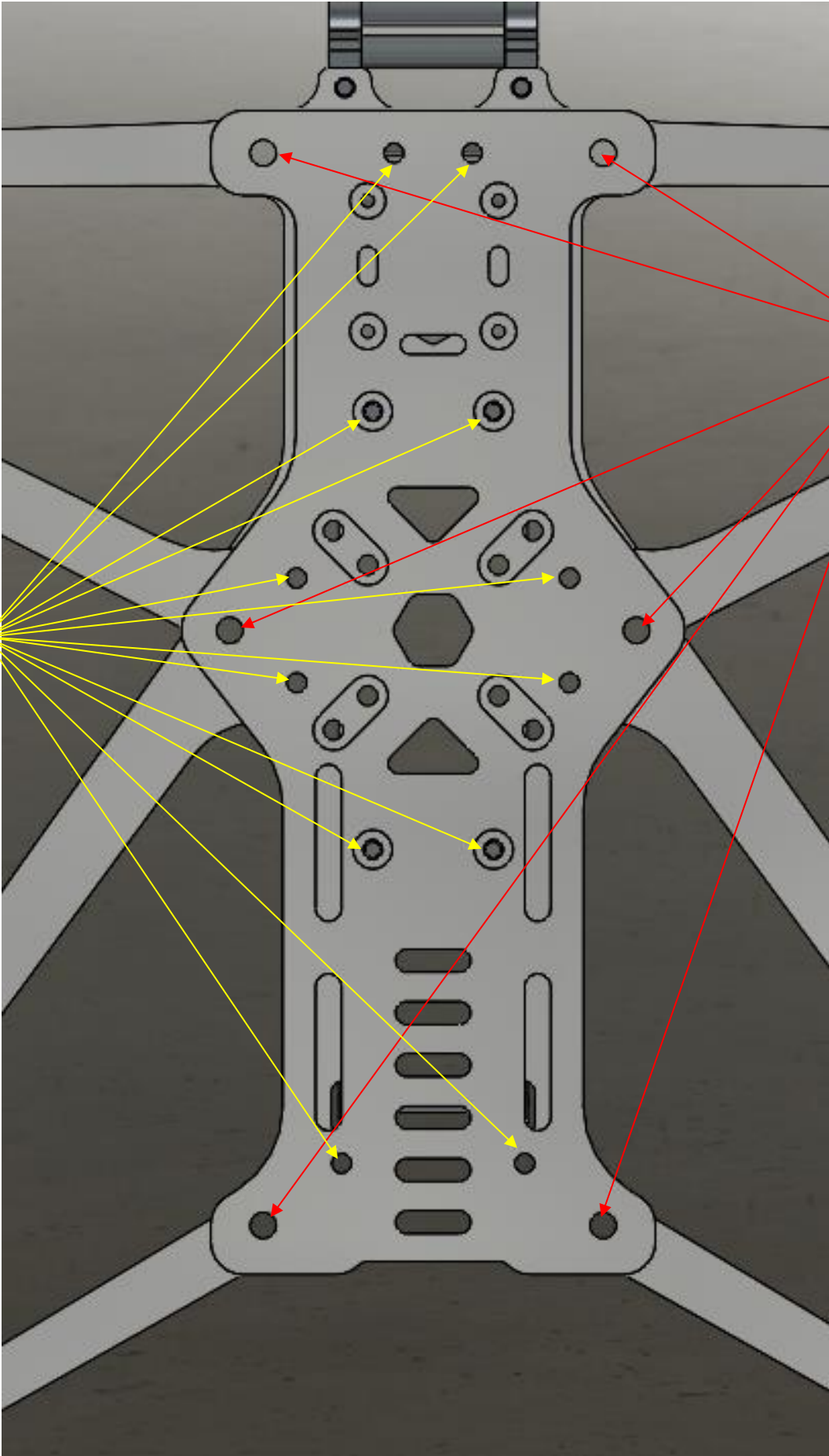
Recommended set up (8.5" version):

- Stack : 50-60A
- Motors : T-motor F100 1100kv – MAD FS2810 1180 kv
- Props : HQ 8.5x4x3 or T-motor Cine 8.5
- GPS : GEPRC GEP-M10-DQ
- VTX : DJI O3, O4, Walksnail, vista
- Pigtail : TBS oblivion SMA / U.FL
- Antennas : FlyFishrc Osprey LHCP 5.8Ghz
- Rx :
 - o TBS crossfire nano or Diversity Rx
 - o ELRS nano or Diversity Rx
- Lipo : 6S from 3300 to 4500 mAh
- Buzzer : vifly finder 2









M3 Screws

M4 Screws

